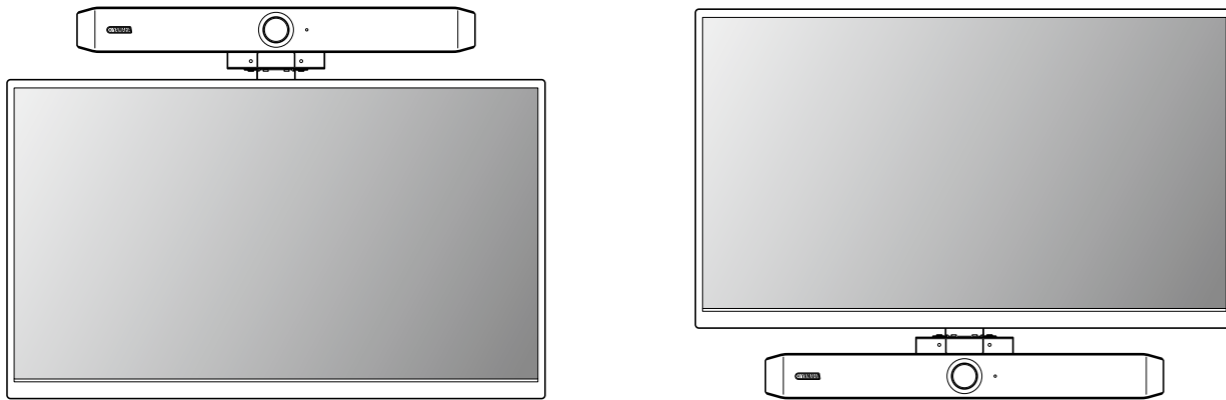
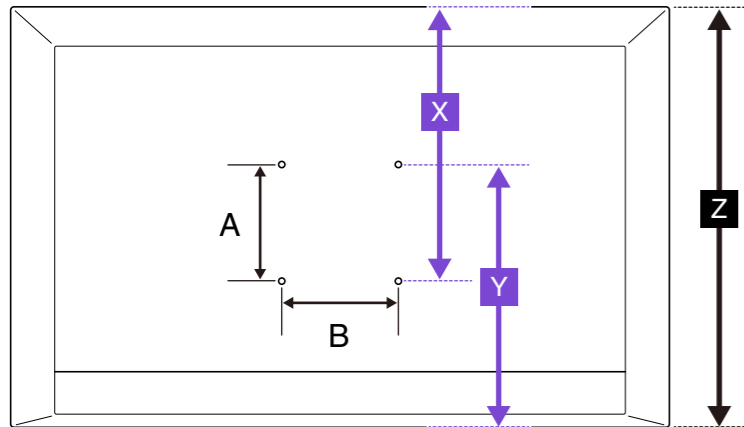


BRK-TV2 is a mounting bracket for attaching video conference system CS-800/CS-500 to a TV.



### Installation conditions for BRK-TV2

This bracket can be attached to the VESA mount of a 40" to 90" TV. Make sure that the TV to which the bracket will be mounted meets all three of the following conditions.



- Spacing between screw holes (A and B must be any of the following measurements.)**  
 A = 100 / 200 / 300 / 400 mm  
 B = 100 / 200 / 300 / 400 / 600 mm
- TV height**  
 Z = 490 mm or more
- Distance from edge of TV to VESA hole**  
 When installing the device above the TV:  
 X = 980 mm or less  
 When installing the device below the TV:  
 Y = 980 mm or less

### Before installation

Before installing BRK-TV2 and the device, we recommend connecting the cables to the device and pairing the remote control. For the pre-installation procedure for the device, refer to "Procedures preparing for use" in the User Guide for the corresponding model.

**WARNING**

- Be sure to have the mounting bracket installed by the dealer where you purchased the product or a professional contractor.
- After installation, make sure that the device is firmly secured. Also, regularly check that there is no possibility of the device falling or tipping over. We cannot be held responsible for accidents caused by incorrect installation.
- After installation, do not lean against the device or apply a strong force to it from above. If the device falls, injuries or damage may result.

**NOTICE**

- The installation procedure may vary depending on the specifications of the metal fittings on the TV stand.
- For details on assembling the TV stand and mounting the TV to it, follow the instructions in the manual for the TV stand.
- The TV should be mounted to the TV stand by two or more people.

**NOTE**

- Neither a TV stand nor wall-mounted TV stand is included.
- The VESA standards are international standards that define the spacing between screw holes used when attaching video equipment, such as TVs, to wall mounts and TV stands.

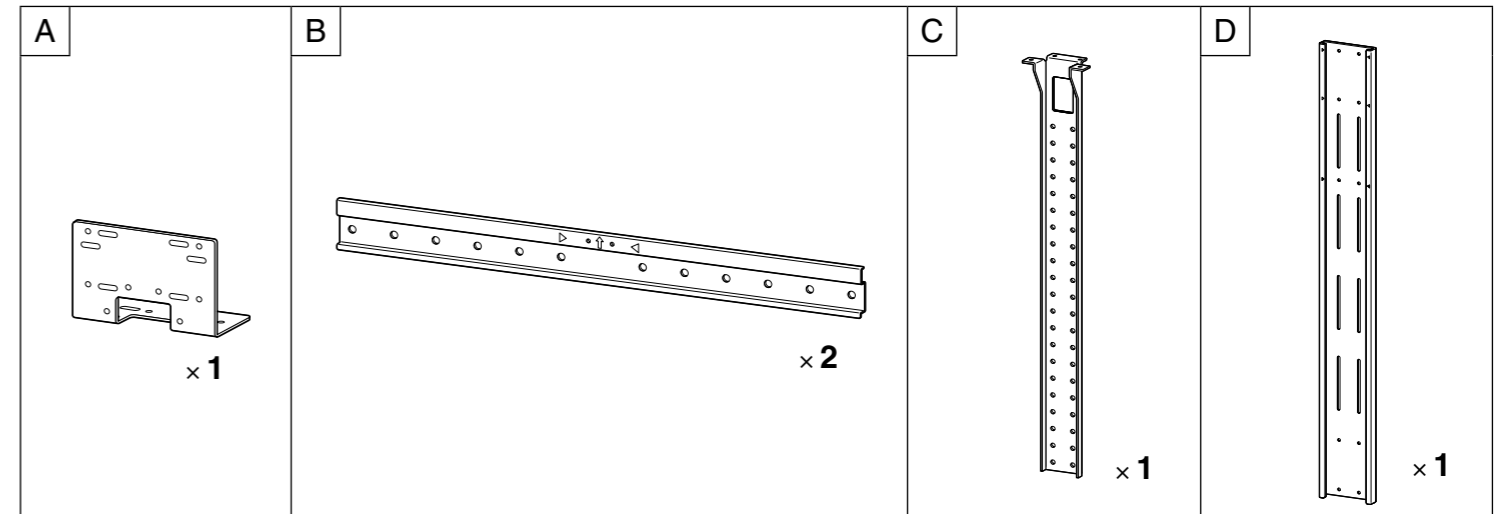
### About this manual

- This manual provides details on installing BRK-TV2. For details on using and connecting the CS-800/CS-500, refer to the corresponding User Guide.
- The illustrations in this manual are for instructional purposes only.

## Items to prepare

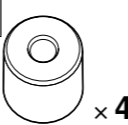


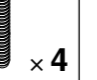
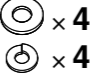
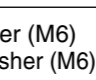


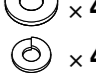
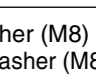
### 1. Items included with BRK-TV2

#### Mounting bracket



D is used when installing the device onto a large TV. (Refer to step ③ in "Installation procedure".)

#### Spacers/screws

<b>E</b>  x 4 Ø25 x t18 mm	<b>F</b>  x 16 M4 x 10 mm with washer	<b>G</b>  or  x 4 M6 x 12 mm or M6 x 30 mm	<b>H</b>  x 4  x 4 Flat washer (M6) Spring washer (M6)	or	<b>G</b>  or  x 4 M8 x 15 mm or M8 x 35 mm	<b>H</b>  x 4  x 4 Flat washer (M8) Spring washer (M8)
--	---	--	---	----	--	---

Use E depending on the configuration of the TV stand.

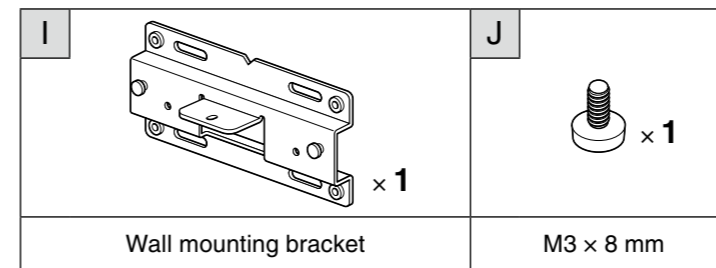
Use only four of G. Use screws of the size suitable for the TV stand.

### 2. Wall mounting bracket

#### When installing CS-800

Included with CS-800

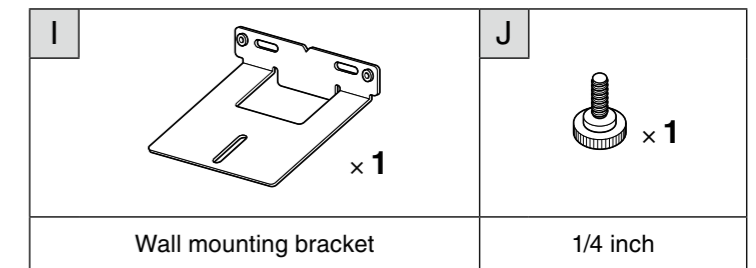
Use the wall mounting bracket included with CS-800.



#### When installing CS-500

Separately sold BRK-WL1

Use the separately sold wall mounting bracket BRK-WL1.



### 3. Items to prepare yourself

- K** VESA-compatible TV stand (or wall mount)
- L** Phillips screwdriver or electric screwdriver
- M** Measuring tape

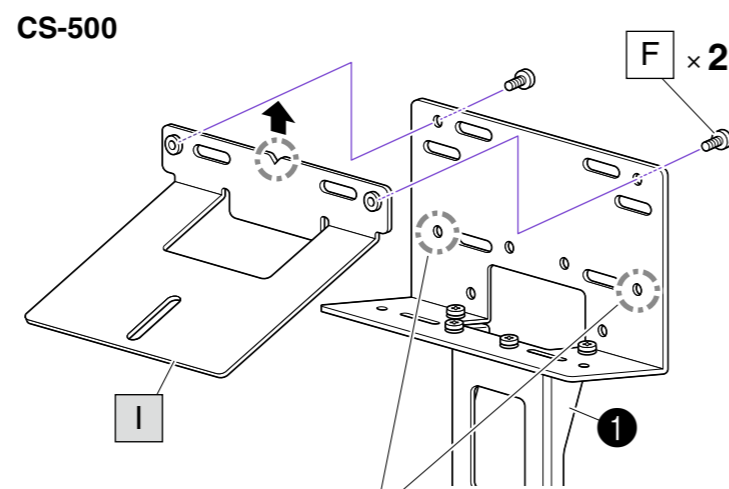
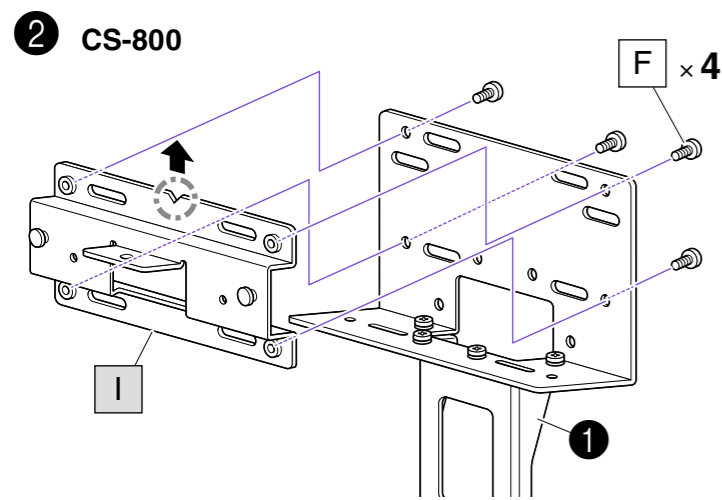
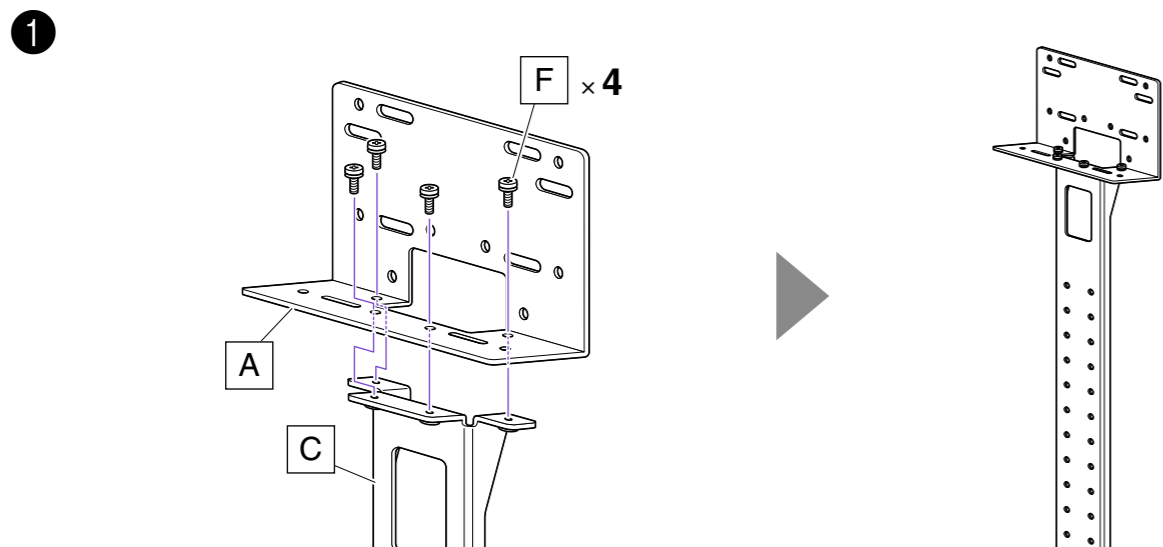
# Installation procedure

The illustrations in this "Installation procedure" are for "When installing the device above the TV".

When installing the device below the TV

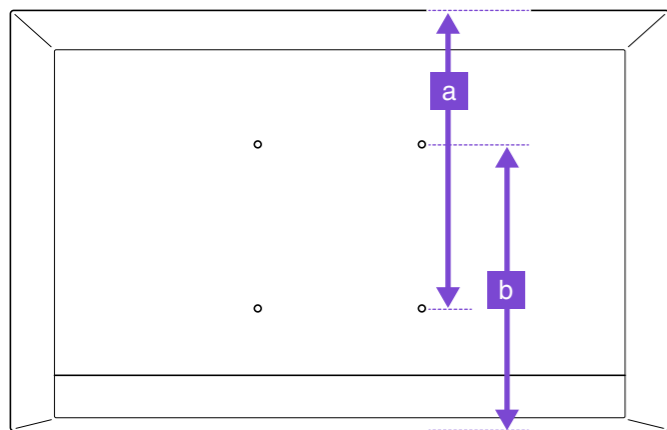
Step 2: Turn the part assembled in step 1 upside down before installing it.

Steps 5 and 6: Turn the part assembled in step 2 upside down before installing it.



\* When installing the device below the TV, use the lower screw holes.

3 Measure the distance from the edge of the TV to the VESA hole. (This measurement will be used in step 5.)



**When installing the device above the TV: a**

Measure the distance from the top edge of the TV to the lower VESA hole.

**When installing the device below the TV: b**

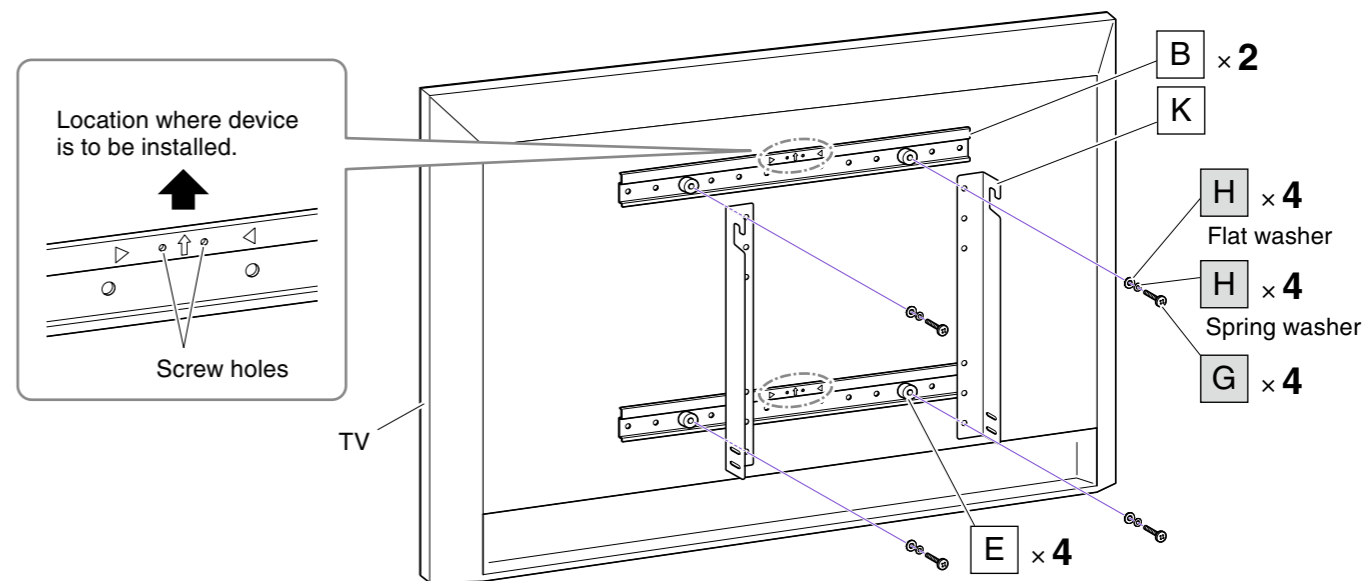
Measure the distance from the bottom edge of the TV to the upper VESA hole.

When 505 mm or less: Extension D is not required.

When 506 mm or more: Extension D is required.

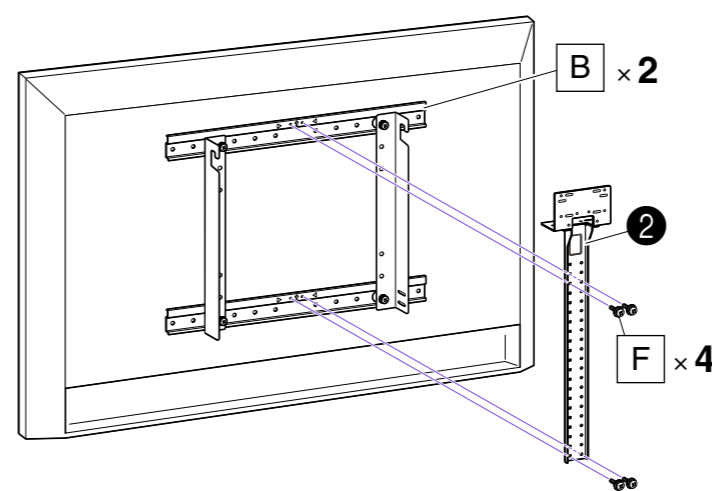
4 Install parts B and K aligned with the screw holes in the TV.

Depending on the configuration of the TV stand, tighten the parts together with E between them to adjust the spacing to the TV.



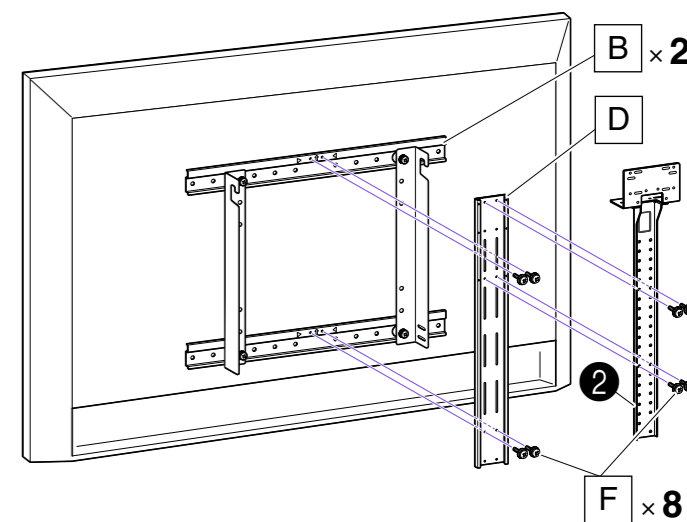
5 When the distance measured in step 3 is 505 mm or less

Attach the part from step 2 directly to B.

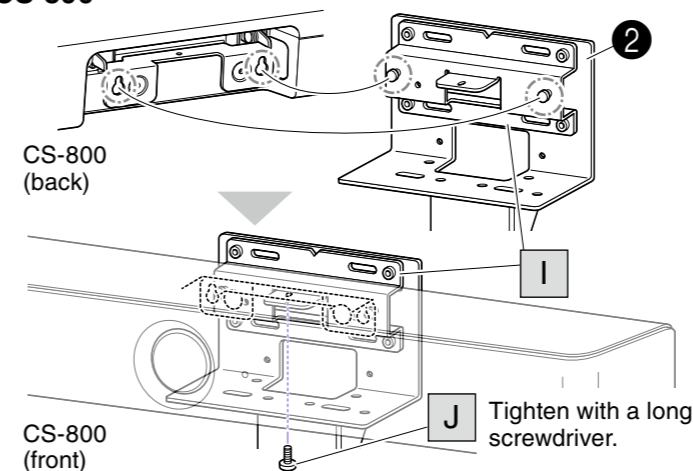


When the distance measured in step 3 is 506 mm or more

Attach D to B, and then attach the part from step 2 to D.



6 CS-800



CS-500

